

ColorCommand™ MECHANICAL SPECIFICATIONS

Fixture

mm: 350 x 400 x 445
in: 13.8 x 15.8 x 17.5

Weight: 9.1 kg (20 lbs)

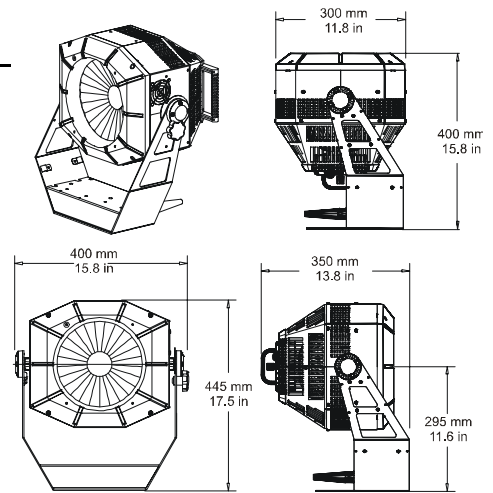
Packed for Shipping

mm: 531 x 588 x 952
in: 21 x 23 x 37.5

Weight: 11.3 kg (25 lbs)

Mounting Information: ColorCommand® may be mounted by attaching suitable clamps with locking washers through the holes on top of the yoke. Cheeseborough truss clamps and ½" nut/bolt sets may be purchased separately.

Colors Available: Black.



ColorCommand™ ELECTRICAL/ LIGHT SOURCE SPECIFICATIONS

Lamp: Phillips Halogen Biplanar

Lamp Power Input: 115V/230V

Lamp Type	Power Consumption	Lamp Life	Color Temperature
Philips 750W/115V	7A @115V, 50/60Hz	300 hrs.	3200K
Philips 800W/230V	3/5A@230, 50/60Hz	400 hrs	3100K

Rated Power: 800W maximum

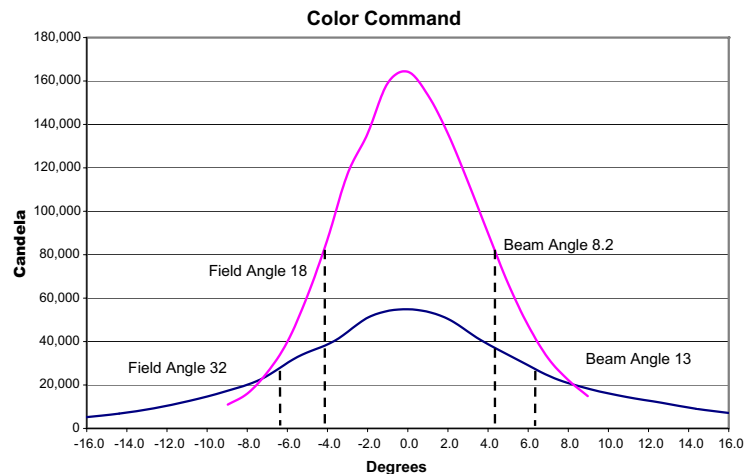
Control Power Input: 40VDC/750 mA

Lumens: 5000

Field lumens: 4500

Field angle range: 18° - 32°

Beam angle range: 8° - 13°



ColorCommand™ OPERATION

Tilt: Manual: 270°

Minimum Focus Distance: 1 meter

Compliances: CE, CETL, ETL

Connectors: 4-pin male and female XLR data connectors

Environmental Tolerances: Maximum Ambient Temperature: 40° C (104° F)

Minimum Distance to Flammable Objects: 1m (3.28ft)

Maximum Exterior Surface Temperature: 200° C (392° F)

Minimum Distance to Lighted Object: 1m (3.28ft)

ColorCommand™ DMX CHANNELS

Channel Function

1	Yellow
2	Magenta
3	Cyan
4	Beam Angle

ColorCommand features CMY subtractive color mixing



PART NUMBERS

Fixture

64010001: Fixture, Color Command, Black

65020001: Supply, Color Power, Black

Lamps

55030064: Philips 750W/115V

55030065: Philips 800W/230V

Accessories

26040002: DMX Upload Dongle

90701349: Safety Cable

80470215: Terminator plug

55040014: Truss Clamp

ColorPower™ MECHANICAL SPECIFICATIONS

Fixture

mm: 309 x 311 x 137
in: 12.2 x 12.3 x 5.4

Packed for Shipping

mm: 343 x 445 x 267
in: 13.5 x 17.5 x 10.5

Weight: 5.9 kg (13 lbs)

Weight: 6.8 kg (15 lbs)

Mounting: Clamp to standard truss. Do not mount closer than 1 foot (.3 meters) to any external heat source.

ColorPower™ ELECTRICAL SPECIFICATIONS:

Rated Power Input: 120V/230V - 50/60 Hz - 3A/1.5A

Rated Power Output: 40VDC/750 mA

ColorPower™ OPERATION

Control Options: DMX 512

DMX Data Connectors: 5-pin male and female XLR

Data Output Connectors: Two 4-pin female XLR - SELV 40VDC to control Color Command fixtures

Data Output Cable: 4-pin XLR DATAPLEX Color Changer Cable. (Total cable length per ColorPower supply data link should not exceed 600 ft.)

Software Upgrades: Operating software may be downloaded from the High End Systems web site (www.highend.com) and uploaded to the ColorPower supply using a High End Systems dongle.

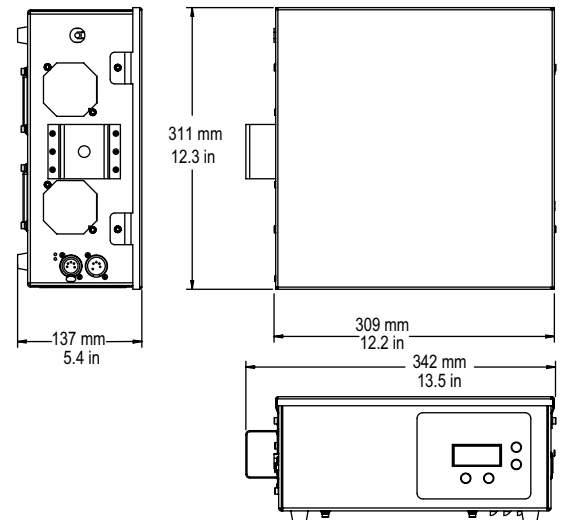
Compliance: CE, CETL, ETL

Environmental Tolerances: Ambient Temperature: TZ = 40°C (104°F)

ColorPower™ DMX CHANNELS

Channel Function

1 Control



ColorCommand, ColorPower are trademarks of High End Systems, Inc.

ETC and Source Four are trademarks of Electronic Theatre Controls Inc. High End Systems has no relationship or affiliation of any nature with Electronic Theatre Controls and High End Systems is fully responsible for the ColorCommand and ColorPower products.